



MEMORIAL BENCH PROGRAM



- Quality bench with secure inground mounting
- All benches to be 4-foot in length with no letters engraved.
- Hunter green color.
- A small plaque (cost of \$12 to \$20) would be purchased locally and added to the bench centered in the top board.
- Eco Friendly
- Recycled Plastic Made from Milk Jugs
- Create a memorial or show recognition by adding an engraved plaque to this bench
- Sturdy bench features "hidden" hardware and clean look
- High-quality recycled plastic is all-weather and low maintenance
- Long inground frames made of Black recycled plastic - mount 18" in the ground
- Includes stainless steel assembly hardware
- 50-year guarantee against breakage

Residents/family members who desire to purchase a memorial bench with plaque will need to complete an application and send it along with a check for \$1,000 payable to Jeff Stewart, Parks & Recreation Director, Gorham Parks & Recreation Department, 33 Exchange Street, Gorham, NH 03581.

The application form can be found at www.gorhamnh.org.

The location of the bench may be proposed on the application form but will ultimately be up to the Parks and Recreation Director.

Payment must be received in full prior to the memorial bench being ordered.

Bench typically ships in three to four weeks.


Bench will be installed by Gorham Public Works / Parks & Recreation Department staff.

Policy approved and effective on June 27th, 2022:

GORHAM BOARD OF SELECTMEN



Michael Waddell, Chairman



Judith LeBlanc



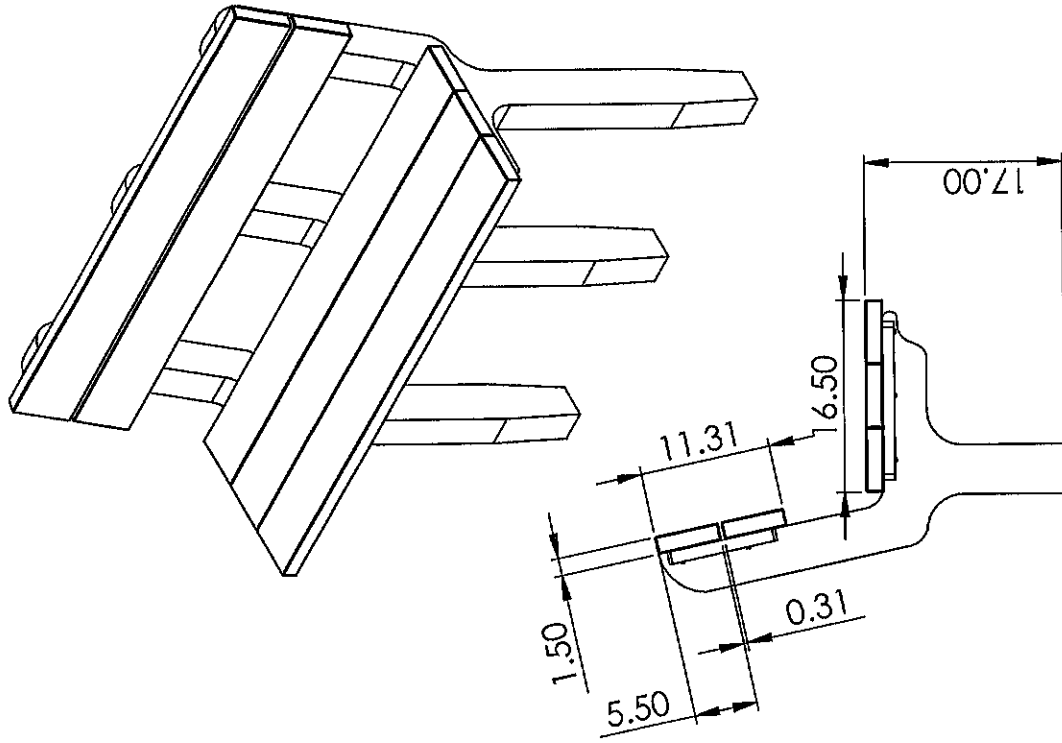
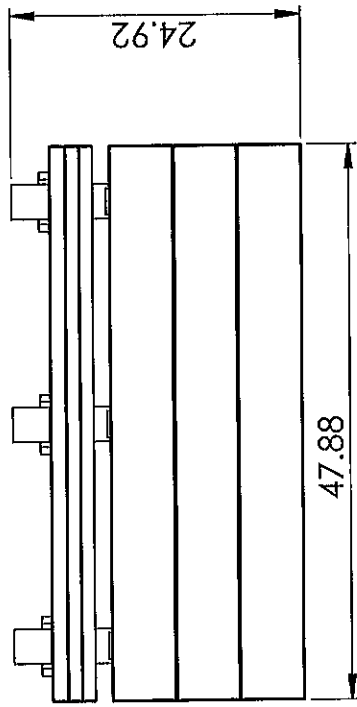
Yves Zornio

BENCH SPECIFICATIONS

REV# 1
2/14/2017

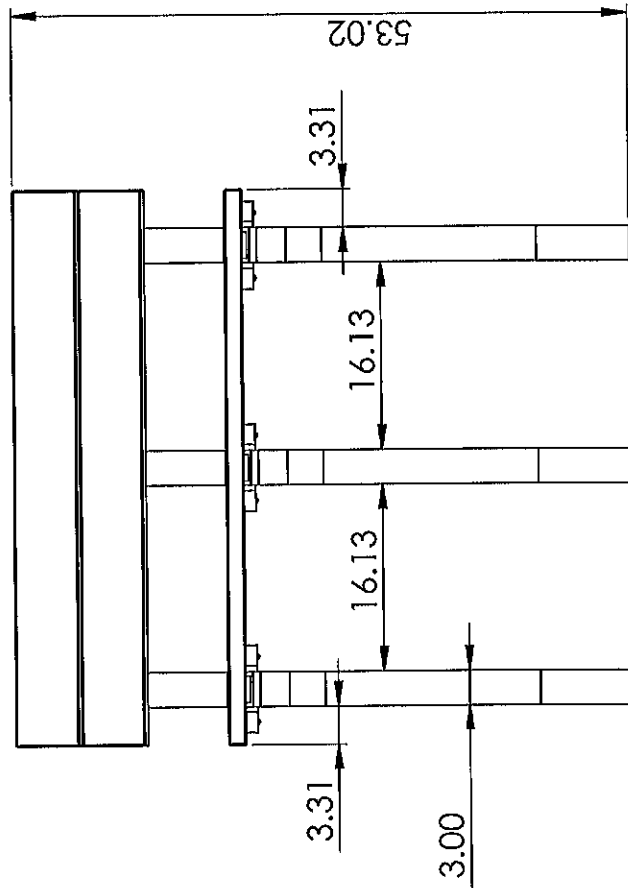
BC1405
BC1408
BC1409

TOP



SIDE

FRONT



CONSTRUCTION MATERIALS:
Recycled Plastic
HARDWARE:
Stainless Steel

ALL DIMENSIONS ARE SHOWN IN INCHES